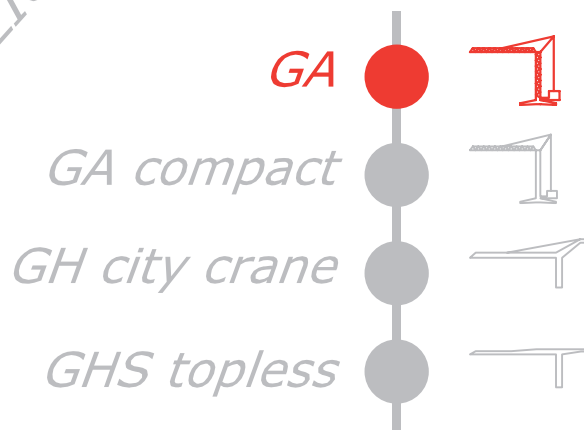


GRU A TORRE

GA 133

GRU AUTOMATICA CON
MONTAGGIO IDRAULICO



FB F.lli Butti s.r.l.

Via XXV Aprile, 58

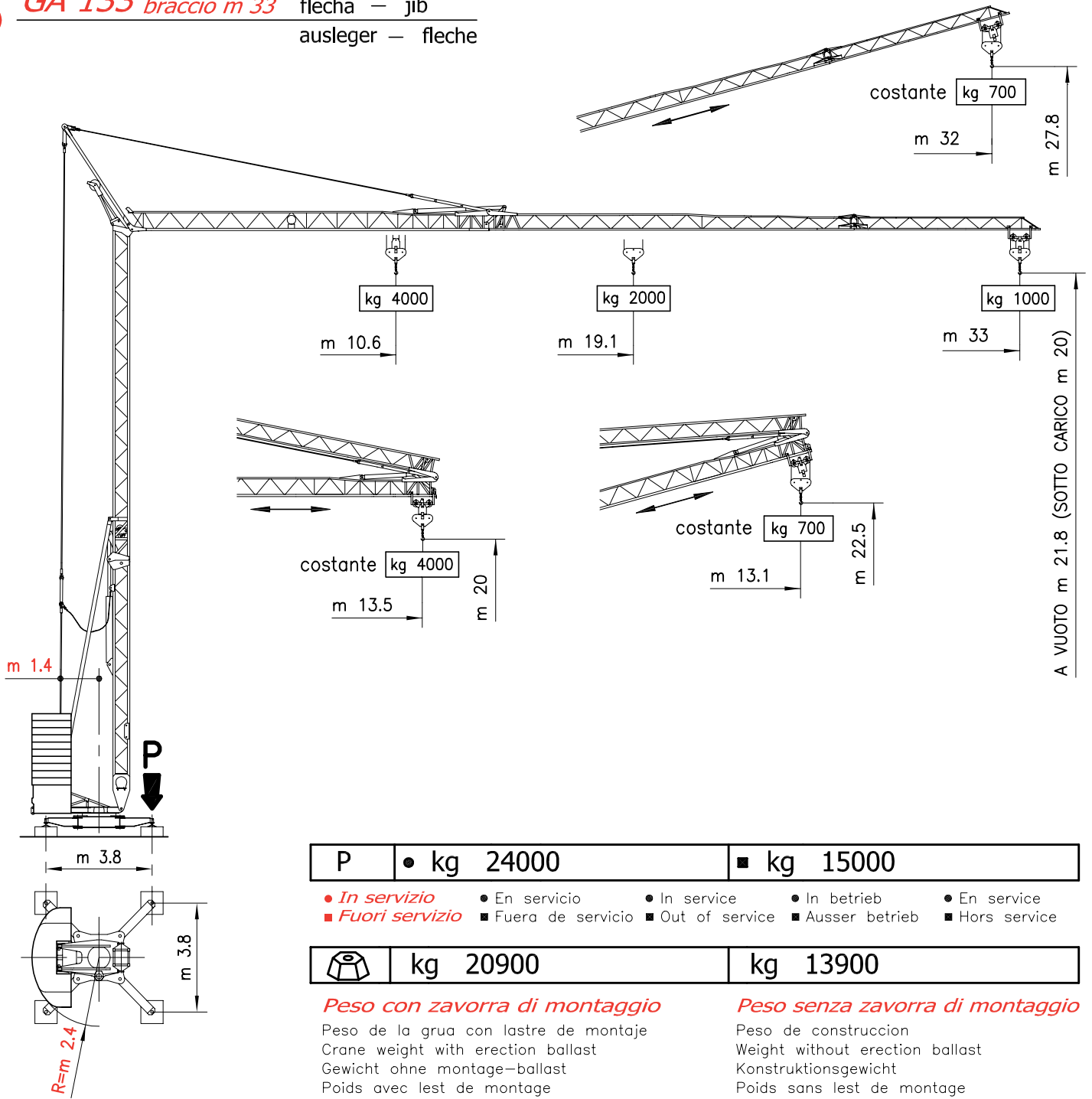
23868 Valmadrera (LC)

Tel. 0341.581108 - Fax 0341.200253

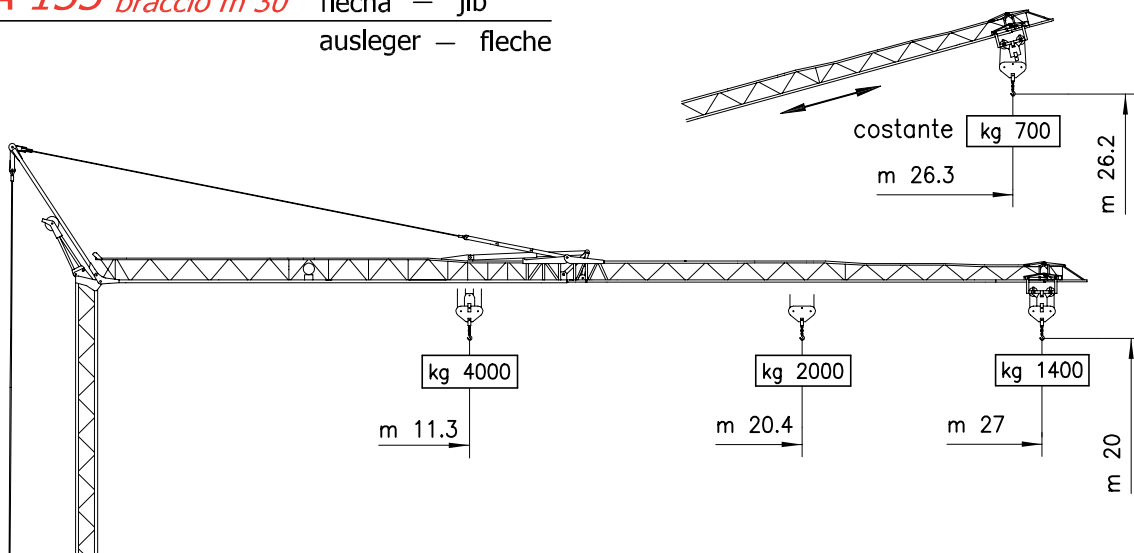
E-mail : fbgru@fbgru.it - <http://www.fbgru.it>



GA 133 braccio m 33 flecha — jib
ausleger — fleche




GA 133 braccio m 30 flecha — jib
ausleger — fleche

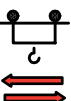



MECCANISMI

MECANISMOS — MECHANISMS
ANTRIEBE — MÉCANISMES

MOVIMENTO MOVIMIENTO MOVEMENT BEWEGUNG MOUVEMENT	ALIMENTAZIONE ALIMENTACION OPERATING VOLTAGE BETRIEBSSPANNUNG TENSION DE SERVICE	PRESTAZIONI FUNCIONAMIENTOS PERFORMANCES LEISTUNGEN EXÉCUTIONS	POTENZA NECESSARIA POTENCIA NECESARIA POWER REQUIREMENT KRAFTE DARF PUISSANCE NÉCESSAIRE
---	---	---	---

SOLLEVAMENTO ELEVACION — HOISTING HEBEN — LEVAGE  INVERTER	400 V 50 Hz	▷ m/1' - kg	▷▷ m/1' - kg	▷▷▷ m/1' - kg	kW 9.2
		II 5 ↓↑	II 26 ↑ II 27 ↓	II 40 ↑ II 42 ↓	
		2000	2000	1000	
		IV 3 ↓↑	IV 13 ↑ IV 14 ↓	IV 20 ↑ IV 21 ↓	
		4000	4000	2000	

CARRELLO CARRILLO — JIB TROLLEY LAUFKATZE — DISTRIBUTION  INVERTER	400 V 50 Hz	▷ m/1'	▷▷ m/1'	kW 2.2
		17	46	

ROTAZIONE ROTACION — SLEWING DREHEN — ORIENTATION  INVERTER	400 V 50 Hz	▷ m/1'	▷▷ m/1'	kW 3
		0 → 0.15	0.15 → 0.8	



Conforme alle direttive
CEE sul livello acustico
2000/14/CE

Conforme con las directivas
CEE sobre el nivel acustico

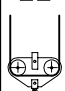

In compliance with the EEC
instructions on noise level

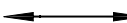
Gemass EWG-Richtlinien für
den Schall-Leistungspegel

Conforme aux directives CEE
sur le niveau acoustique

CURVE DI CARICO

CURVAS DE CARGAS — LOAD DIAGRAMS
LASTKURVEN — COURBES DE CHARGES

II  IV 	m	10.6	11.3	14	16	18	19.1	20.4	22	24	26	27	28	30	32	33	
	kg	IV	IV	IV	IV	IV	II	II	II	II	II	II	II	II	II	II	II
		4000	3598	2904	2478	2154	2000	1823	1691	1521	1378	1305	1256	1151	1060	1000	
			IV	IV	IV	IV	IV	II	II	II	II	II					
		4000	3128	2672	2324	2178	2000	1829	1647	1494	1400						

BRACCIO IMPENNATO FLECHA IZADA LUFFING JIB AUSLEGER IN STEILSTELLUNG FLÈCHE RELEVÉE		Carrellino distributore Carrellino distribuidor — Traversing trolley Verfahrbare laufkatze — Chariot distributeur	kg 700
--	---	--	--------

POTENZA RICHIESTA

POTENCIA-ELECTRICA NECESARIA — NECESSARY ELECTRIC POWER
KRAFTBEDARF — PUISSANCE ELECTRIQUE NÉCESSAIRE

ALIMENTAZIONE TRIFASE TRIFASICA THREE PHASE DREIPHASIGE TRIPHASE	15 kw 400 V - 50 Hz	SOLLEVAMENTO ELEVACION HOISTING HEBEN LEVAGE	kg 2000
---	----------------------------	---	---------

Con riserva di modifiche

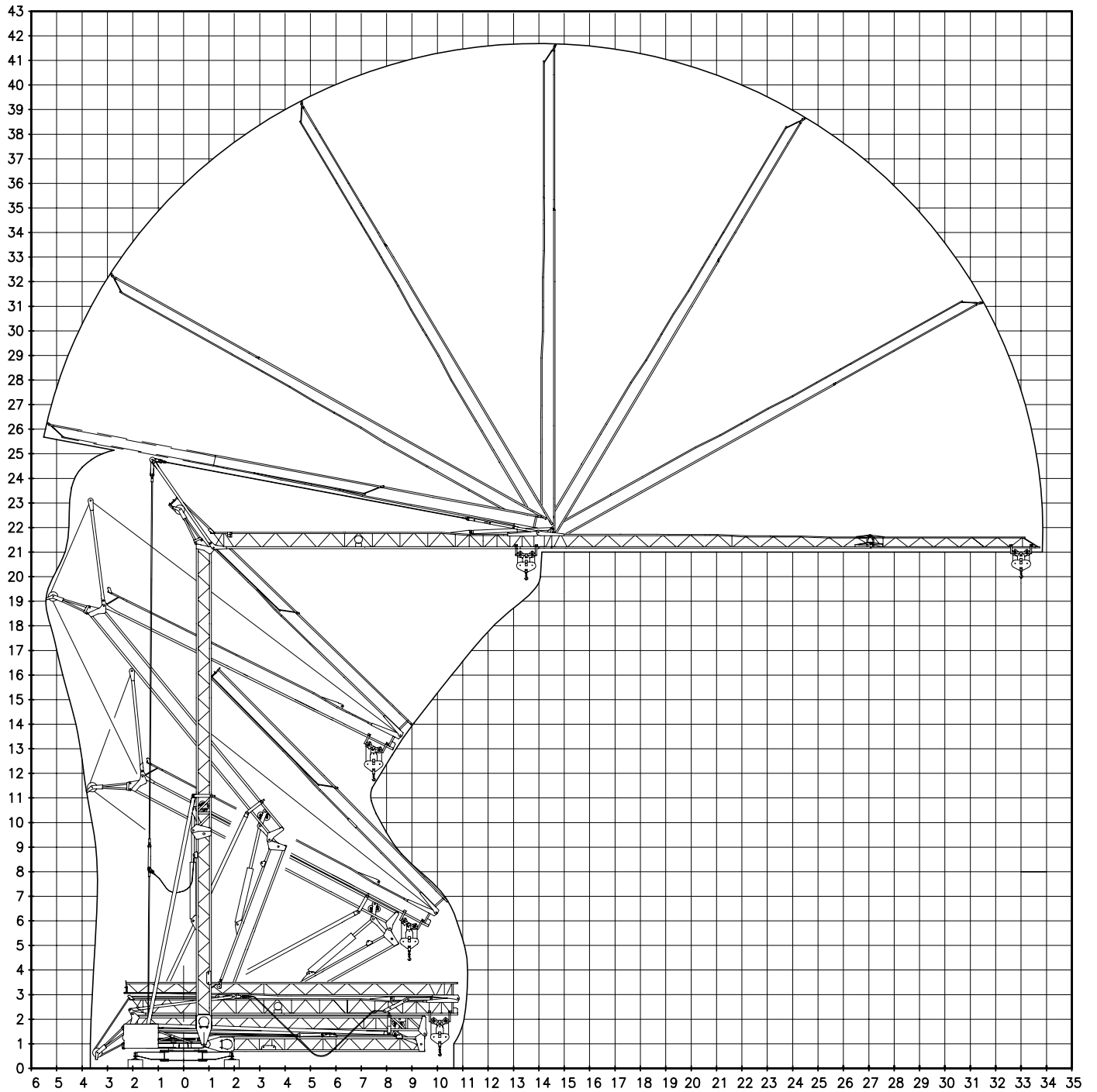
Derecho de modificaciones reservadas

Subject to change without notice

Anderungen vorbehalten

Modifications réservées

MONTAGGIO MONTAJE — ERECTION
MONTAGE — MONTAGE



TRASPORTO TRANSPORTE — TRANSPORT
TRANSPORT — TRANSPORT

